

# CLICKMATE™ TW157

## Quick connector

for filling air storage cylinders up to 5,000 psi (CGA 346 / CGA 347)

US Patent No. 5,575,510



**General**

**DESCRIPTION**



**Features**

- Connection directly to the standard thread of the cylinder valve (CGA 346 / 347)
- Quick connections in seconds without hand / wrench tightening
- Filling of air storage cylinders up to 5,000 psi (CGA 346 /CGA 347)
- Improving operational safety and ergonomics
- Available with / without bleeding valve

**CLICKMATE™ TW157** is designed for filling air storage cylinders. Existing filling systems equipped with wrench-tight nuts and connectors can be converted without problems. **CLICKMATE™ TW157** is rated for pressure ranges up to 5,000 psi. The WEH connector provides a connection in seconds to the CGA thread of the cylinder valve without hand / wrench tightening. Just place the connector onto the cylinder valve until it stops. The connection is made by lowering the operating lever through 90° which locks the split jaws onto the cylinder valve. The integrated safety peg prevents a disconnection under pressure.

Optionally **CLICKMATE™ TW157** is available with an integrated bleeding valve.

The standard version has an operating lever for actuation, an operating handle is available on request.

All connectors are subjected to extensive pressure and long-term tests (100,000 cycles).

**Application**

Filling of air storage cylinders in breathing air centers of fire brigades.



**CLICKMATE™ TW157** with operating lever and bleeding valve

**TECHNICAL DATA**

Characteristics	Basic version	Options
Nominal pressure PN	Up to 5,000 psi (350 bar)	On request
Temperature range	+41 °F up to +158 °F (+5 °C up to +70 °C)	On request
Medium	Respiratory air (compressed air)	On request
Cylinder thread size A	Standard connection for CGA 346 (0.825" -14 NGO-RH-EXT large round nipple) CGA 347 (0.825" -14 NGO-RH-EXT long round nipple)	On request
Inlet B	NS 1" -14 external thread	On request
Actuation	Operating lever	Operating handle, others on request.
Material	Brass and corrosion-resistant stainless steel	On request
Sealing material	FKM	On request
Design	Without integrated bleeding valve	With integrated bleeding valve
Function tested	100,000 cycles	On request

General

SYSTEM OVERVIEW | CLICKMATE™ TW157 with operating lever

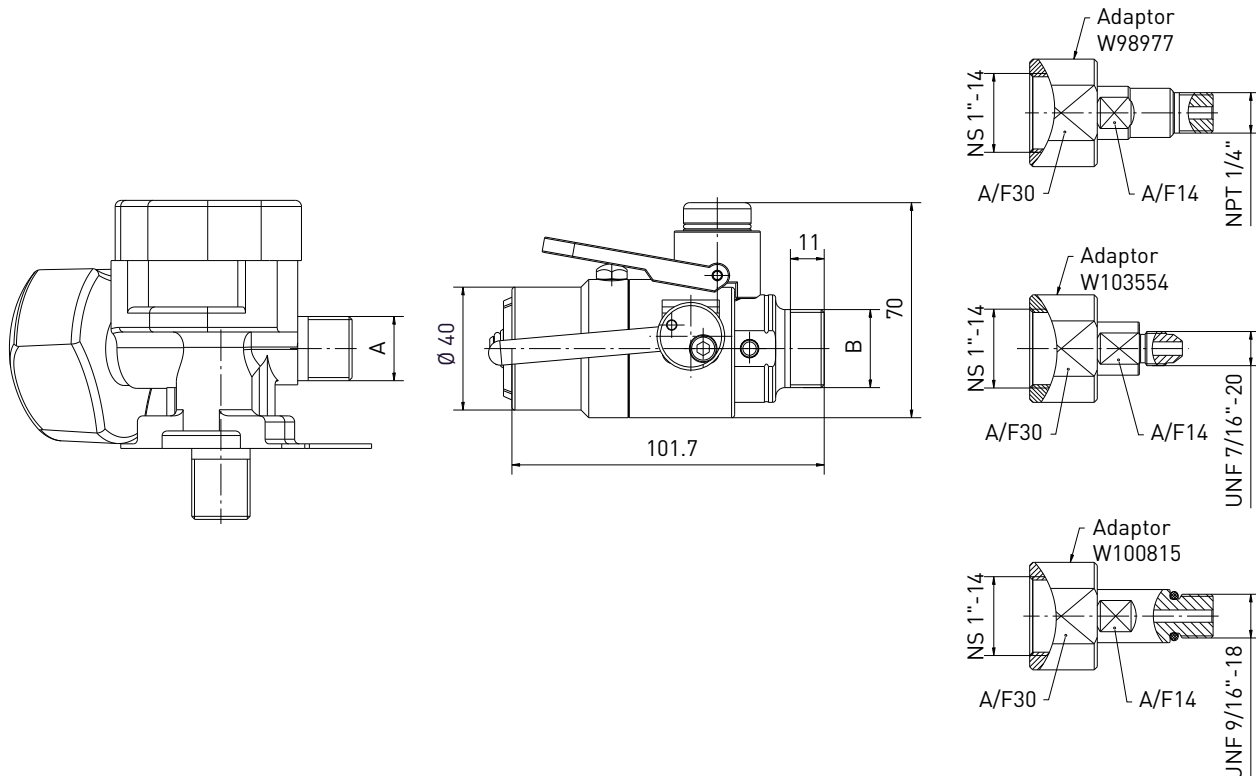


SYSTEM OVERVIEW | CLICKMATE™ TW157 with operating lever and bleeding valve



**Ordering**

**ORDERING**



**Quick Connector CLICKMATE™ TW157 with operating lever**



Part No.	Description	Connection A	Inlet B
<b>C1-102859</b>	<b>CLICKMATE™ TW157</b> without bleeding valve	0.825"-14 NGO-RH external thread	NS 1"-14 external thread

**Quick Connector CLICKMATE™ TW157 with operating lever and bleeding valve**



Part No.	Description	Connection A	Inlet B
<b>C1-103581</b>	<b>CLICKMATE™ TW157</b> with bleeding valve	0.825"-14 NGO-RH external thread	NS 1"-14 external thread

**Ordering**

Quick Connector **CLICKMATE™ TW157** with operating handle



Part No.	Description	Connection A	Inlet B
<b>C1-98975</b>	<b>CLICKMATE™ TW157</b> without bleeding valve	0.825" -14 NGO-RH external thread	NS 1" -14 external thread

Quick Connector **CLICKMATE™ TW157** with operating handle and bleeding valve



Part No.	Description	Connection A	Inlet B
<b>C1-103580</b>	<b>CLICKMATE™ TW157</b> with bleeding valve	0.825" -14 NGO-RH external thread	NS 1" -14 external thread

**ACCESSORIES**

The following accessories are available for **CLICKMATE™ TW157**:

**Adaptor incl. locking nut**

Adaptor for **CLICKMATE™ TW157** for connection to the filling hose.



Part No.	Description	Connection
<b>W98977</b>	For connection to the filling hose	NPT1/4" external thread O-ring plane sealing
<b>W100815</b>	For connection to the filling hose	UNF9/16" -18 external thread O-ring plane sealing
<b>W103554</b>	For connection to the filling hose	UNF 7/16" -20 external thread (37°)

Others on request

**Seal sets**

Part No.	Description
<b>W103582</b>	Seal set (10 x spare front seal)
<b>W5606</b>	Seal set for safety peg

## Other products

### OTHER PRODUCTS

WEH offers a wide range of products.

Further information on our homepage  
[www.weh.com](http://www.weh.com)

#### Contacting

For queries and further information, please do not hesitate to contact us.

**Manufacturer:**  
WEH GmbH  
Precision Connectors  
Siemensstr. 5  
89257 Illertissen / GERMANY  
Phone: +49 7303 9609-0  
Fax: +49 7303 9609-9999  
eMail: [sales@weh.com](mailto:sales@weh.com)  
Internet: [www.weh.com](http://www.weh.com)



**Distributor US:**  
WEH Technologies Inc.  
24903 Laguna Edge Drive  
Katy, TX 77494 / USA  
Phone: +1 832 331 0021  
Fax: +1 281 712 2664  
eMail: [sales@weh.us](mailto:sales@weh.us)  
Internet: [www.weh.us](http://www.weh.us)